



charnwood
TOR &
TOR PICO

Operating & Installation Instructions

TOR & TOR PICO

CONTENTS

OPERATING INSTRUCTIONS

Fuel	3
Door Operation	3
Riddling Grate	3
Ash Clearance	3
Lighting	4
Controlling The Fire	4
Refuelling	5
Maintenance	5
Throat Plate & Flueway Clearing	6
Chimney Sweeping	6
Trouble Shooting	7
If You Need Further Help	7

INSTALLATION INSTRUCTIONS

Health & Safety Precautions	9
Specification	9
Chimney	9
Hearth & Fire Surround	9
Connection to Flues	10
Soot Doors	10
Unpacking The Stove	10
Pre Lighting Check	10
Commissioning	10
Tor Dimensions	11
Tor Parts Lists	12 - 16
Tor Pico Dimensions	17
Tor Pico Parts Lists	18 - 22
Certification	23

OPERATING INSTRUCTIONS

Before lighting the stove check with the installer that the work and checks described in the Installation Instructions have been carried out correctly and that the chimney has been swept, is sound and free from any obstructions. The stove is not suitable for use in a shared flue system.

Your Tor stove has been designed to work with the minimum effort. If any operation - such as riddling the grate or opening and closing the door - begins to require extra force then the cause must be investigated and corrected to prevent damage being caused to the stove.

Remember that the stove will be hot and is made from hard material. Ensure that you have good balance before operating the fire.

When using the stove in situations where children, aged and/or infirm persons are present a fireguard must be used to prevent accidental contact with the stove. The fireguard should be manufactured in accordance with BS 8423:2002.

This stove is capable of intermittent operation.

FUEL

Only dry well seasoned wood should be burnt on this appliance as burning wet unseasoned wood will give rise to heavy tar deposits in the stove, on the glass and within the chimney. For the same reason hard woods (such as Ash, Beech and Oak) are better than soft woods (such as Pine and Spruce.) Burning wet unseasoned wood will also result in considerably reduced outputs. The wood should be cut and split and then left to season in a well ventilated dry place for at least one year but preferably two years before use. Logs of the following sizes are suitable :-

	Maximum Length	Approx. Diameter
Tor	280mm (11in)	Up to 100mm (4in)
Tor Pico	254mm (10in)	Up to 100mm (4in)

PETROLEUM COKE IS NOT SUITABLE FOR USE ON THIS APPLIANCE. ITS USE WILL INVALIDATE THE GUARANTEE.

This stove is not designed to burn household waste. For advice on other fuels, please contact Charnwood.

This appliance has been approved by HETAS as an intermittent operating appliance for burning dry seasoned wood logs only. HETAS approval does not cover the use of other fuels either alone or mixed with wood logs nor does it cover the instructions for the use of other fuels.

DOOR OPERATION

The door handle has been carefully designed so that in normal use it may be operated using bare hands. However, if you need to open the doors when the fire is running at maximum, then the use of a cloth or glove may be required.

Take care not to touch the doors as they will be hot when the fire is burning. Turn the door handle clockwise to open, and anti-clockwise to close. The stove should be run with the door shut.

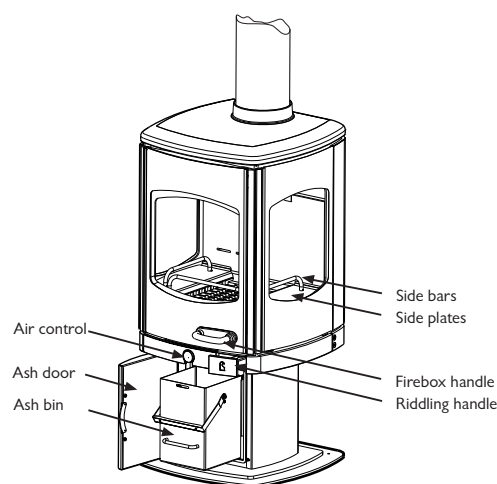
RIDDLING GRATE

Your Charnwood Tor is fitted with a riddling grate to enable wood to be burned and ash to be cleared. Whilst riddling the grate bars are rotated to the vertical position to clear an excessive buildup of ash. Ensure the grate bars rotate back to the horizontal position when the handle is released.

ASH CLEARANCE

Movement of the grate from one position to the other is effected by pulling the riddling handle as shown in Fig. 1. When burning wood the ash should be allowed to build up and riddling should only be carried out once or twice a week. Allow the ash level to rise up to the

Fig. 1. Stove Controls



slots in the firebricks for best performance. As a guide, the bottom of the logs should be a little above the top of the front guide bar.

Please note that during riddling both the firebox and ash doors should be left closed, as ash will be allowed to fall into the ash bin provided in the column. It is advisable to wait a short time for the dust to settle before opening the ash door when removing the bin for emptying.

The ash bin should be emptied when the level of ash reaches approximately three quarters full.

Once the bin has been removed from the stove the lid can be pivoted into position to prevent ash escaping while the bin is being carried.

LIGHTING

The stove may be lit using dry kindling wood and paper or fire lighters. Place the paper, or fire lighters, and kindling on the grate and cover with a few small dry logs. Open the air control fully (see Fig. 1.) Light the paper or fire lighters. Close the door until the fuel is well ignited then load with fuel.

On initial lighting, the stove may smoke and give off an odour as the silicon paint with which the firebox is painted reacts to the heat. This is normal and will cease after a short time, but meanwhile the room should be kept well ventilated.

At first only light a small fire and burn it slowly for two hours to allow any residual moisture in the bricks to evaporate.

CONTROLLING THE FIRE

Recommended Running Conditions for the Tor and Tor Pico

Introduction

The Tor and Tor Pico have been designed to burn steadily and efficiently with low smoke emissions. There are five settings for the air control and using these enable the stove to function well under different conditions.

The unique QuattroFlow™ air control provides carefully balanced air supply to enable optimum burning conditions without the need for multiple controls.

Once the fire is up to temperature the airwash system will begin to work, so allow the fire to become hot before adjusting the air controls to the required setting.

The fire is controlled by the single air control knob shown in Fig. 1. Pull the knob out to make the fire burn faster, push it in to make the fire burn slower.

Control settings are as follows: -

Fully out	Start up/Max heat
3	Fast
2	Medium
1	Slow
Fully in	Slumber

General comments

The Tors work at their best with a generous firebed of ash. We recommend that when the fire is well underway a single layer of logs are loaded front to back. The firebed ash should not be allowed to

block the rear air holes.

Firebed ash can be removed by pulling the riddling handle on the lower right of the stove back and forth. This will deposit ash in the concealed ash carrier under the firebox and at the same time enable the firebed level to be monitored. When the door is open check that the ash is behind the front guide bar.

It is important to use dry kindling wood to start the fire in order to ensure that smoke is kept to a minimum. This will also help keep the glass clean. It is recommended that the initial fire is made smaller than the guide bars and then built up as the initial fire gets well alight.

Fig.2 Initial Firing – air setting fully out

Initial kindling loaded



Fig.3 Building the fire – air setting fully out

Small logs added as fire catches



It is important to use dry smaller split logs while building up the fire while still keeping this initial fire away from the side guide bars

Fig.4 Adding larger logs – air setting fully out

More logs added to fire



Larger logs can be added once the fire is well established.

Fig.5 Fire well under way – reduce air setting to 3



Once long flames appear over the fire reduce the air setting to 3. We normally anticipate running the fire at this setting for at least the first hour if starting the Tor from cold.

Fig.6 Fire fully established – reduce air setting to 2 or lower



Once the fire is well established – with each log alight at the top the air setting can be reduced to 2 or lower according to the type of fire required. If at any setting the flames start to go out or the glass begins to discolour, then this indicates that a higher setting is required. To achieve this pull the air control out to re-establish a consistent burn.

Adding more logs – building up the fire again

If more logs are added to a fire that is still going it is recommended that the control setting be increased to at least control setting 3.

If however the fire has died down then it is recommended that the

control setting is pulled out to be fully open.

Final comment on smoke reduction

If new logs are added to a fire and the fire dies then smoke will always result and so if this happens open the air control fully.

Glass

Under recommended running condition the glass should remain quite clean but should film develop on the glass this can be easily removed by wiping the glass with a damp cloth or tissue when the stove is cold.

For correct firing we recommend the use of a stove pipe thermometer which may be purchased from your supplier or from Charnwood.

REFUELLING

Keep the firebox well filled but do not overfill to prevent fuel from spilling over the top of the front or side fire bars. Logs should be evenly distributed across the fire bed to give the most pleasing flame pattern and logs should be placed in the grate aligned from front to back.

If the fire has died down, then kindling wood should be added and the air control opened fully to establish the firebed before adding larger logs.

Care should be taken that wood does not project over the front fire bar or damage to the glass may be caused when the door is closed, it can also cause the glass to black up. Maximum filling height is half way up the firebox. Liquid fuels are not to be used on this stove.

MAINTENANCE

Cleaning

The stove is finished with a high temperature paint which will withstand the temperatures encountered in normal use. This may be cleaned with a damp lint-free cloth when the stove is cold. Should re-painting become necessary then special high temperature paints are available from your supplier or from Charnwood.

Cleaning the Glass

The glass in the door is a special ceramic glass which is able to withstand high temperatures. Before cleaning the glass open the door and allow it to cool. Clean the glass using a damp cloth and then wipe over with a dry cloth. Any stubborn deposits on the glass may be removed with a proprietary stove glass cleaner or ceramic hob cleaner. Do not use abrasive cleaners or pads as these can scratch the

surface which will weaken the glass and cause premature failure. Aerosol spray cleaners must not be used near the appliance whilst it is under fire.

When Not in Use

If the fire is going to be out of use for a long period (for instance in the summer) then to prevent condensation, and hence corrosion, the air control should be left fully open and the fire door left ajar. It is also advisable to sweep the chimney and clean out the fire. Spraying the inside of the door and firebox with a light oil, such as WD40, will also help to keep all internal parts working well.

After long periods where the fire has been out of use, the chimney and appliance flueways should be cleaned before lighting.

Door Seals

For the fire to operate correctly it is important that the door seals are in good condition. Check that they do not become worn or frayed and replace them when necessary.

Servicing

It is recommended that the fire is serviced once a year by a competent person to keep it in first class working order. After cleaning out the firebox thoroughly, check that all internal parts are in good working order, replacing any parts that are beginning to show signs of wear. Check that the door seals are in good condition and that the door seals correctly. A servicing guide is available on request. Repairs or modifications may only be carried out by the Manufacturer or their approved agents. Use only genuine Charnwood replacement parts.

THROAT PLATE AND FLUEWAY CLEANING

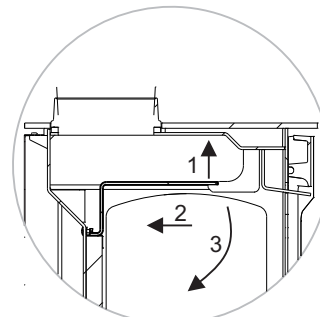
It is important that the throat plate and all the stove flueways are kept clean. They should be checked approximately once a week, by looking up into the firebox for signs of soot or fly-ash on the throat plate and at the sides of the firebox. If there are signs of a build up of soot or fly-ash deposits then the fire must be let out in order to clean the throat plate and flueways.

Before attempting to clean the throat plate and flueways ensure that the fire is cold. Wear suitable gloves to prevent irritation from soot deposits.

PLEASE NOTE: Great care is needed to avoid hitting the glass with the throat plate as it is removed as broken glass may result.

To remove the throat plate lift the front edge up, then slide it backward before hinging the plate down from its back supports. Lift up from the back supports and rotate to remove through the

Fig. 7 Throat Plate



Section showing throatplate in top of stove

1. Lift throatplate at front
2. Slide backwards,
3. Swing throatplate downwards

doorway. (see Fig. 7)

CHIMNEY SWEEPING

The chimney should be swept at least once a year and it will generally be possible to sweep the chimney through the appliance. If the stove is fitted in place of an open fire then the chimney should be swept one month after installation to clear any soot falls which may have occurred due to the difference in combustion between the stove and the open fire.

PLEASE NOTE: Great care is needed to avoid hitting the glass with the throat plate as it is removed or any of the tools used in cleaning the chimney.

First remove the front firebar, side fire plates, and the throat plate. Then sweep the chimney ensuring that soot is removed from all horizontal surfaces after sweeping.

In situations where it is not possible to sweep through the appliance the installer will have provided alternative means, such as a soot door.

After sweeping the chimney the appliance flue outlet and the flue pipe connecting the stove to the chimney must be cleaned with a flue brush.

After clearing any soot from within the stove, replace the throat plate by reversing the procedure (see Fig. 7), before reinstalling the side fireplates, and front firebar. Different types of sweep's brushes are available to suit different flueways. For standard brick chimneys a wire centre sweep's brush fitted with a guide wheel is recommended. For prefabricated insulated chimneys the manufacturers instructions with regard to sweeping should be consulted.

TROUBLE SHOOTING

Fire Will Not Burn

Check that:

- a) the air inlet is not obstructed in any way,
- b) chimneys and flueways are clear,
- c) that a suitable fuel is being used,
- d) that there is an adequate air supply into the room,
- e) that an extractor fan is not fitted in the same room as the stove.
- f) there is sufficient draw in the chimney, (once the chimney is warm a draught reading of at least 0.10 inches water gauge (25Pa) should be obtained).

Glass Blacks Up

Keeping the glass clean requires a certain amount of experimentation due to the differences in the draw of different chimneys. The following points should be noted and with a little care should enable the glass to be kept clean in most situations:

- a) The airwash relies on a supply of heated air to keep the glass clean, therefore, when lighting the stove allow the fire bed to become well established before closing the air control. This also applies when re-fuelling the stove.
- b) When re-fuelling keep the fuel as far back from the front firebar as possible, do not try to fit too much fuel into the firebox.
- c) Wet wood or logs overhanging the front firebars will cause the glass to blacken.
- d) There is a bypass slide that can be adjusted to suit the particular installation. This allows a small amount of airwash air to enter the stove even when the air control is closed. This can be adjusted to help with keeping the glass clean when the fire is slumbering.

Please note it is more likely to be difficult to keep the glass clean when running the stove very slowly for long periods.

Check that all flue connections are well sealed. It is also important that the chimney draw is sufficient, (when the chimney is warm a draught reading of at least 0.10 inches water gauge (25pa) should be obtained), and that it is not affected by down-draught.

Fume Emission

WARNING NOTE: Properly installed and operated this appliance will not emit fumes. Occasional fumes from de-ashing and re-fuelling may occur. Persistent fume emission is potentially dangerous and must not be tolerated. If fume emission does persist, then the following immediate actions should be taken:

- a) **Open doors and windows to ventilate the room and then leave the premises.**
- b) **Let the fire go out.**
- c) **Check for flue or chimney blockage, and clean if required.**
- d) **Do not attempt to re-light the fire until the cause of fume emission has been identified, if necessary seek professional advice.**

The most common cause of fume emission is flueway or chimney blockage. For your own safety these must be kept clean.

CO Alarm

Your installer should have fitted a CO alarm in the same room as the appliance. If the alarm sounds unexpectedly, follow the instructions given under "Warning Note" above.

Fire blazing out of control

Check that :

- a) The door is tightly closed.
- b) The air control is pushed in .
- c) A suitable fuel is being used.
- d) Door seals and air control slides are sealing.
- e) The ash flap is sealing.

Chimney Fires

If the chimney is thoroughly and regularly swept, chimney fires should not occur. However, if a chimney fire does occur push the air control in fully and tightly close the door of the appliance. This should cause the chimney fire to go out in which case the control should be kept closed until the stove has gone out. The chimney and flueways should then be cleaned. If the chimney fire does not go out when the above action is taken then the fire brigade should be called immediately. After a chimney fire the chimney should be carefully examined for any damage. Expert advice should be sought if necessary.

IF YOU NEED FURTHER HELP

If you need further help with your Charnwood Tor or Tor Pico then your Installer will be able to provide the answers to most questions. Your Local Charnwood Premier Dealer has a great deal of experience and will also be able to provide helpful advice. Further help is available from the Charnwood Customer Services department who will be pleased to give advice, if necessary.



HEALTH & SAFETY PRECAUTIONS

Please take care when installing the stove that the requirements of the Health and Safety at Work Act 1974 are met.

Some types of fire cement are caustic and should not be allowed to come into contact with the skin. In case of contact wash with plenty of water.

If there is a possibility of disturbing any asbestos in the course of installation then please use appropriate protective equipment.

There must not be an extractor fan fitted in the same room as the stove as this can cause the appliance to emit fumes into the room.

There must be an adequate air supply into the room in which the appliance is installed to provide combustion air. The Tor Pico has 5kW output and therefore a permanent air vent is not normally required. The combustion air supply for the Tor must be via a permanently open vent. Minimum free area should be **16.5cm² (2.6 in²)**. This is particularly necessary if the room is double glazed. It must be positioned such that it is not liable to blockage.

In addition to these instructions the requirements of BS 8303 and BS EN 15287-1 :2007 must be fulfilled. Local Authority Bylaws and Building Regulations regarding the installation of Solid Fuel burning appliances, flues and chimneys must also be observed, including those referring to national and European Standards.

CO Alarms

Building regulations require that whenever a new or replacement fixed solid fuel or wood/biomass appliance is installed in a dwelling a carbon monoxide alarm must be fitted in the same room as the appliance. Further guidance on the installation of the carbon monoxide alarm is available in BS EN 50292:2002 and from the alarm manufacturer's instructions. Provision of an alarm must not be considered a substitute for either installing the appliance correctly or ensuring regular servicing and maintenance of the appliance and chimney system.

SPECIFICATION

	Tor	Tor Pico
Output	8.0kW (27,300 BTU/h)	5.0 kW (17060 BTU/h)
Weight	220 kg	160 kg
Flue Gas Temp.	303°C	231°C
Flue Gas Mass Flow	8.7g/s	5.0g/s
Min Flue Draught	25 Pa (0.1in wg)	25 Pa (0.1 in wg)
Max Hearth Temp.	25°C	25°C

The outputs were obtained burning seasoned hardwood

CHIMNEY

In order for the appliance to perform satisfactorily the chimney height must not be less than 4 metres measured vertically from the outlet of the stove to the top of the chimney. The minimum internal chimney size is:- **Tor** 175mm diameter (7 inches) or 175mm x 175mm.

Tor Pico 150mm diameter (6 inches) or 150mm x 150mm.

This stove is NOT to be used in a shared flue. If an existing chimney is to be used it must be swept and checked, it must be in good condition, free from cracks and blockages, and should not have an excessive cross sectional area. If you find that the chimney is in poor condition then expert advice should be sought regarding the necessity of having the chimney lined. If it is found necessary to line the chimney then a lining suitable for Solid Fuel must be used.

If there is no existing chimney then a prefabricated block chimney or a twin walled insulated stainless steel flue to BS EN 15287-1:2007 can be used either internally or externally. These chimneys must be fitted in accordance with the manufacturers instructions and Building Regulations.

Anki pumice liners or chimney blocks will give a highly insulated chimney which will work well with all fuels. For details ring Anki Chimney Systems on (01983) 527997.

Single wall flue pipe, of diameter no less than the stove outlet, is suitable for connecting the stove to the chimney but is not suitable for using for the complete chimney.

If it is found that there is excessive draw in the chimney then a draught stabiliser should be fitted.

It is important that there is sufficient draw in the chimney and that the chimney does not suffer from down-draught. When the chimney is warm the draw should be not less than 0.1 inches water gauge (25 pa). If in doubt about the chimney seek expert advice.

HEARTH AND FIRE SURROUND

The stove must stand on a fireproof hearth and must be situated at least the following distances from any combustible material:

	<i>Tor</i>	<i>Tor Pico</i>
Side	800mm (32in)	800mm (32in)
Back	500mm (20in)	400mm (16in)

The hearth must be at least 12mm (0.5inches) thick and capable of supporting the weight of the stove. The positioning of the stove and the size of the hearth are governed by building regulations for Class 1

appliances. These building regulations state that the hearth must extend in front of the stove by at least 300mm (12 inches) and to the sides of the stove by at least 150mm (6 inches). When the fire door is open, it extends beyond the front of the stove by 400mm (16in)

If in doubt as to the positioning of the stove expert advice should be sought either from the supplier or the local building inspector.

The fireplace must allow good circulation of air around the appliance to ensure that maximum heat is transferred to the room and also to prevent the fireplace from overheating. A gap of 150mm (6 inches) each side and 300mm (12 inches) above the appliance should give sufficient air circulation. If a wooden mantelpiece or beam is used in the fireplace it should be a minimum of 460mm (18 inches), and preferably 600mm (24 inches) from the appliance. In some situations it may be necessary to shield the beam or mantelpiece to protect it.

In order for the fire to operate correctly there must be an air gap behind the appliance of at least 100mm, but be aware that this distance will need to be greater in some cases to meet Building Regulation requirements.

CONNECTIONS TO FLUES

A vertical connection (shown in Fig. 8) is used and the chimney may be swept through the appliance.

Horizontal lengths of flue must be kept to a minimum and should not be more than 150mm (6 inches) long. The sealing face of the flue collar is fixed to the body of the stove using the two screws provided. If a soapstone top is fitted an alternative extended adaptor ring will be required to align the flue ring with the top face of the stone. All flue connections must be well sealed with the self adhesive glass fibre braid provided.

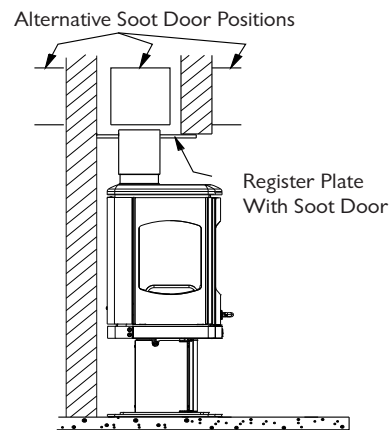
SOOT DOORS

It is possible to pass a brush through the appliance but in some installations it may be necessary to have a soot door to enable the chimney to be swept. This may either be in the actual brickwork of the chimney or in the register plate. Various positions of soot doors are shown in fig 8.

UNPACKING THE STOVE

The stove arrives bolted and shrink-wrapped to its pallet. The wrapping is first removed, then the stove released from the pallet by removing the 4 pallet bolts using a 10mm spanner. The stove comes with the stand fitted and may now be moved to its final position. The pallet is intended to be cut up and used for kindling fuel.

Fig. 8 Horizontal register plate with flue connection



PRE LIGHTING CHECK

Before initial lighting the following points should be checked :-

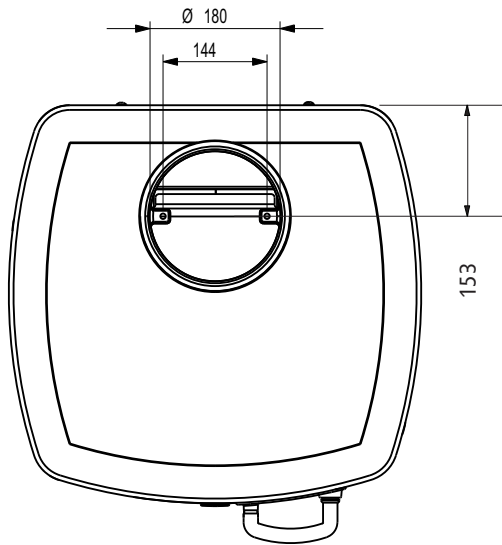
1. The bottom grate bars should move freely and easily when the riddling mechanism is operated.
2. The plates round the sides and back of the grate must be in position and sitting correctly.
3. The throat plate must be fitted carefully in the roof of the appliance.

PLEASE NOTE great care must be taken to avoid hitting the glass whilst installing the throat plate. The method of location and positioning of the throat plate is shown in Fig. 7.

COMMISSIONING

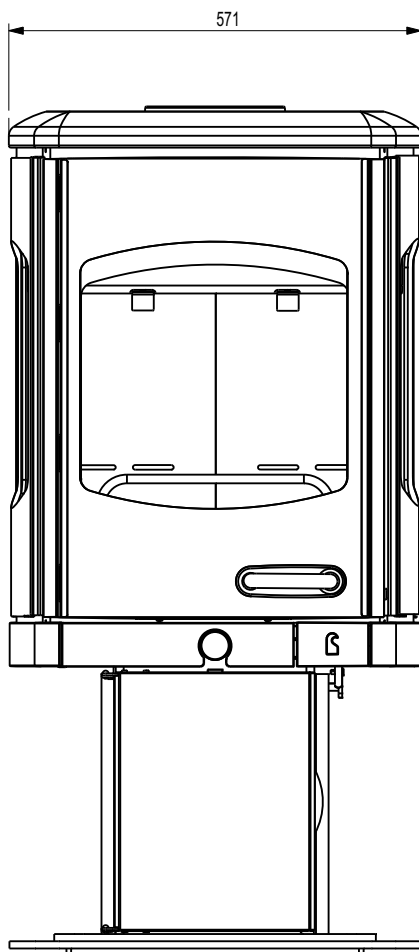
On completion of the installation and after allowing a suitable period of time for any fire cement and mortar to dry out, the stove should be lit and checked to ensure that smoke and fumes are taken from the appliance up the chimney and emitted safely. Also check all joints and seals. On completion of the installation and commissioning please leave the operating instructions with the customer and advise them on the use of the appliance.

TOR DIMENSIONS

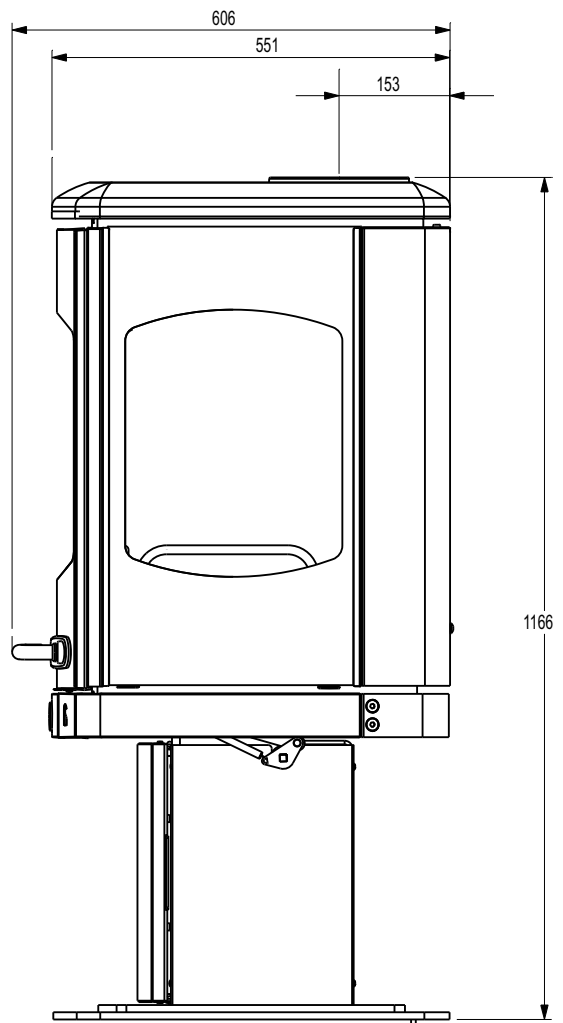


PLAN VIEW

Flue Outlet to suit 175mm (7") Fluepipe



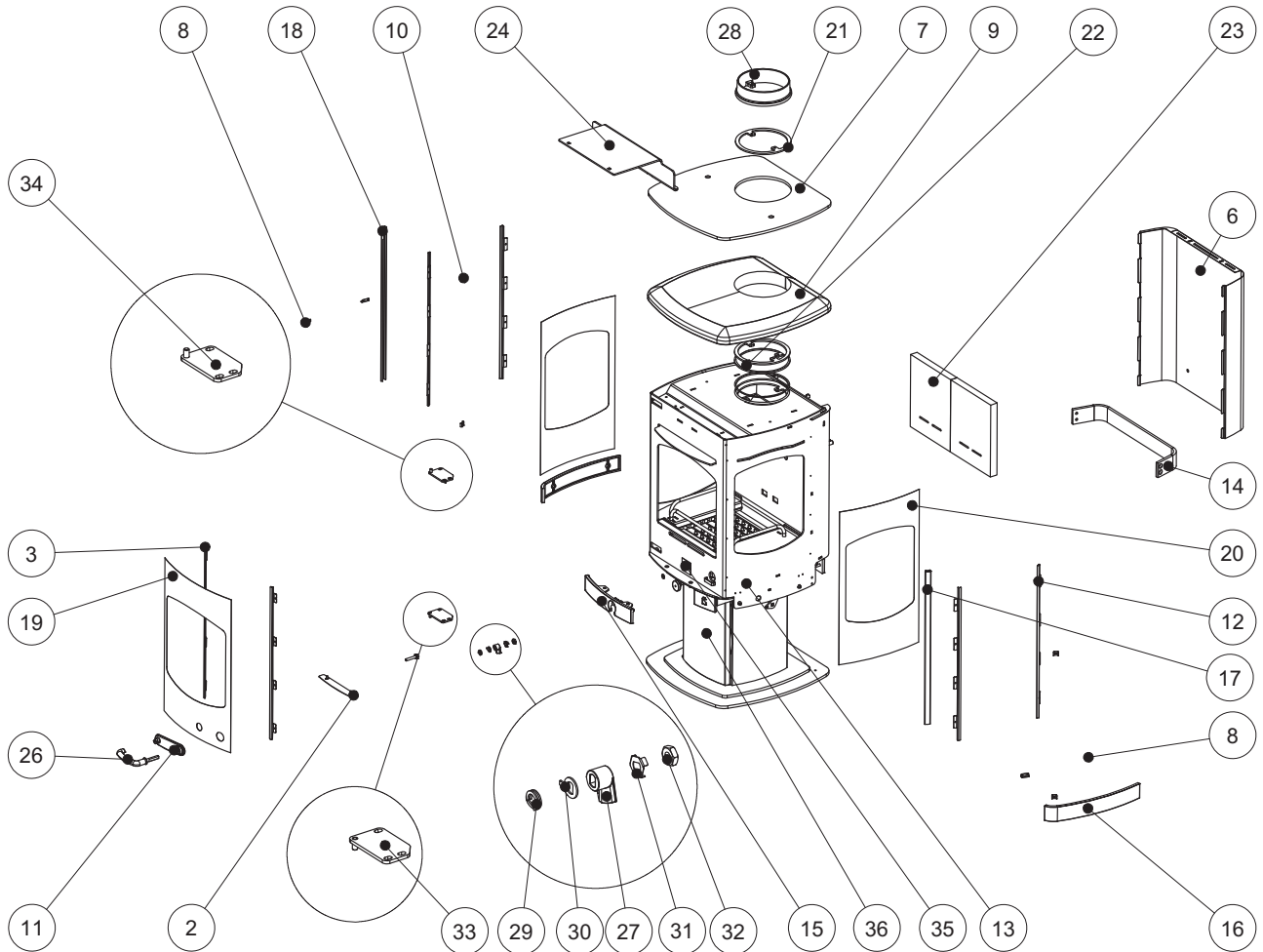
FRONT VIEW



SIDE VIEW

TOR PARTS LIST

Issue E



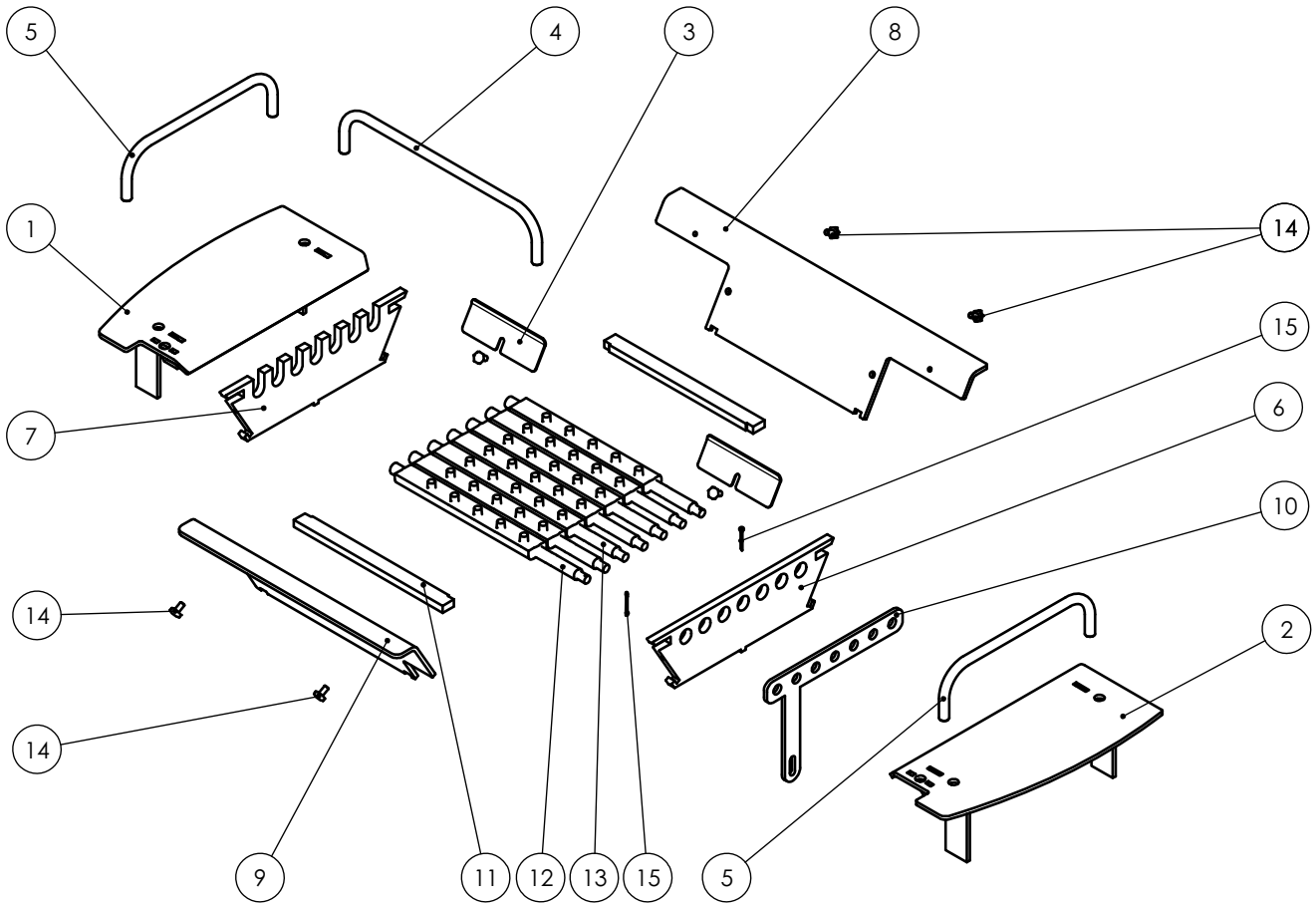
Item	Part No.	Description	Item	Part No.	Description
1#	002/ES01/01	Door casting	21	010/ES27/01	Spacer ring
2#	004/ES01/04	Glass support	22	010/ES27	Extension ring
3#	004/ES01/07	Glass retainer front	23	011/ES28/01	Firebrick
4#	010/ES01/16	Hinge assembly (lower)	24	010/ES31	Baffle
5#	010/ES01/15	Hinge assembly (top)	25*	008/ES35/02	Door Seal kit
6#	004/ES04	Rear cover	26	008/KV16	Handle
7#	010/ES04/03	Stove top (steel)	27	002/AY14	Catch
8#	004/ES04/04	Glass holding bracket	28	002/CY45	Flue collar
9	008/ES04/05	Soapstone top	29	008/FW015	Thakaray Washer
10	004/ES04/06	Trim mount	30	004/ES01/12	Handle Stop
11#	002/ES04/08	Escutcheon plate	31	004/ST008	Tabbed Locking Washer
12#	004/ES04/09	Glass retainer side	32	008/FN001	M12 MS Nut
13#	001/ES10	Firebox assy	33	010/ES01/10/00	Lower Hinge Bracket
14#	010/ES10/15	Rear Collar	34	010/ES01/10/01	Upper Hinge Bracket
15#	002/ES10/04	Front casting	35	012/ES11	Serial No. Label
16#	002/ES10/05	Side casting	36	004/ES17	Ash Bin
17#	004/ES10/16	RH Corner upright			
18#	004/ES10/17	LH Corner upright			
19	006/ES18/02	Glass front			
20	006/ES18/01	Glass side			

* These items are not shown on the drawing.
Please specify colour when ordering.

To obtain spare parts please contact your local stockist giving Model, Part No. and Description. In case of difficulty contact the manufacturer at the address shown. This drawing is for identification purposes only.

TOR PARTS LIST GRATE ASSEMBLY

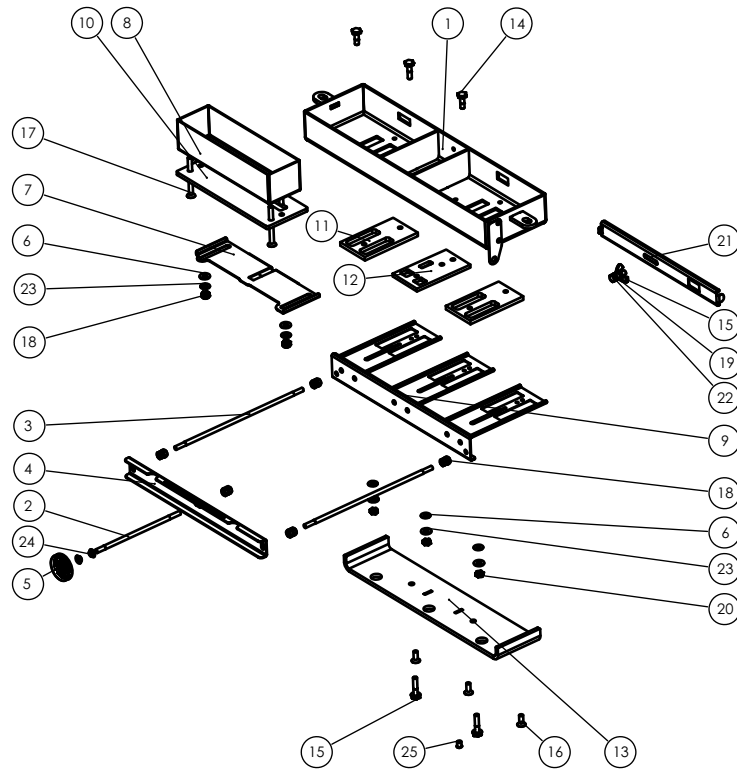
Issue B



Item	Part No.	Description	Qty.
1	010/ES07/04	LH sideplate Assy	1
2	010/ES07/06	RH Sideplate Assy	1
3	004/ES07/07	Brick retainer	2
4	010/ES07/08	Front Fence	1
5	010/ES07/09	Side Fence	2
6	010/ES08/01	RH Grate support	1
7	010/ES08/02	LH Grate support	1
8	010/ES08/03	Rear grate link plate	1
9	010/ES08/04	Front grate plate	1
10	010/ES08/05	Link plate	1
11	010/ES08/06	Grate end bar	2
12	002/CG01/02	Grate bar cg1 plus hole	2
13	002/CG01	Grate bar cg1	5
14	Bolt M6	M6 x 30 Hex Hd	6
15	Cotter Pin	Splitpin	2

TOR PARTS LIST AIR CONTROL

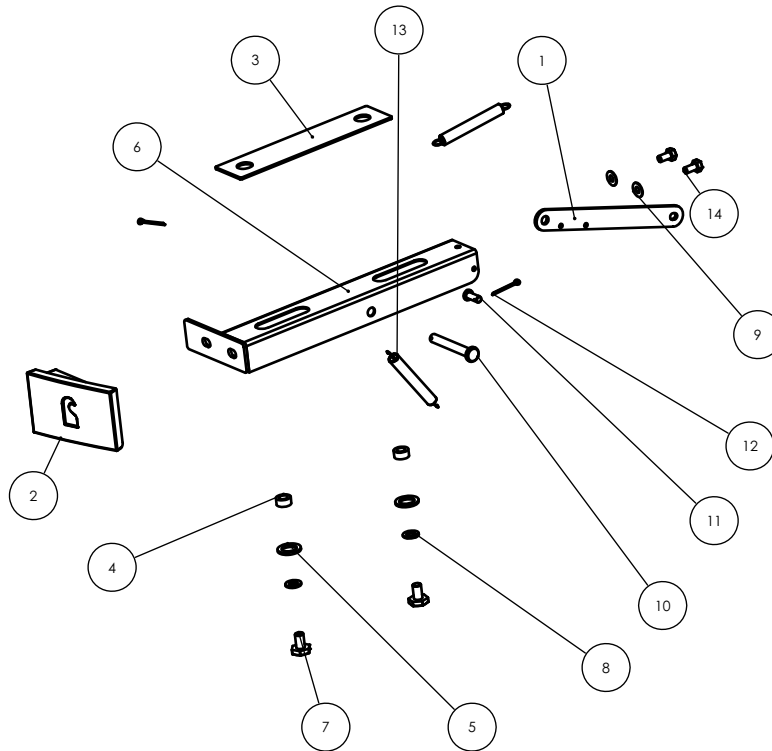
Issue A



ItemNo	Partno	Description	QTY.
1	010/ES15/05	Mounting Box	1
2	004/ES15/02	Connecting rod	1
3	004/ES15/03	Air flow link rod	2
4	004/ES15/04	Front connector	1
5	008/ES15/11	Air control knob	1
6	008/ES15/16	PTFE Washer	5
7	004/ES15/21	Slide front	1
8	004/ES15/22	Front air box	1
9	004/ES15/24	Air slide	3
10	008/ES15/27	PTFE slide strip	1
11	008/ES15/27	PTFE Slider	2
12	008/ES15/29	PTFE Slider	1
13	010/ES15/18	Airbox Guard	1
14	M6 X 25 Hex Hd	M6 X 25 Hex Hd	3
15	M6 x 30 Hex Hd	M6 x 30 Hex Hd	2
16	M6 x 12 CSK Allen screw	6x12 CSK screw	3
17	M6 x 65 CSK Allen screw	6x65 CSK screw	2
18	M6 Nut	M6 Nut	13
19	M6 Wing nut	M6 Wing nut	1
20	M6 Nyloc Nut	M6 Nyloc Nut	2
21	004/Cy21	Air Bypass Slider	1
22	Grip Washer	M6 Grip washer	1
23	Washer	M6 plain Washer	7
24	008/ES34/01	Bearing	2
25	008/ES36/01	Brass ball catch	1

TOR PARTS LIST RIDDLER ARM

Issue B

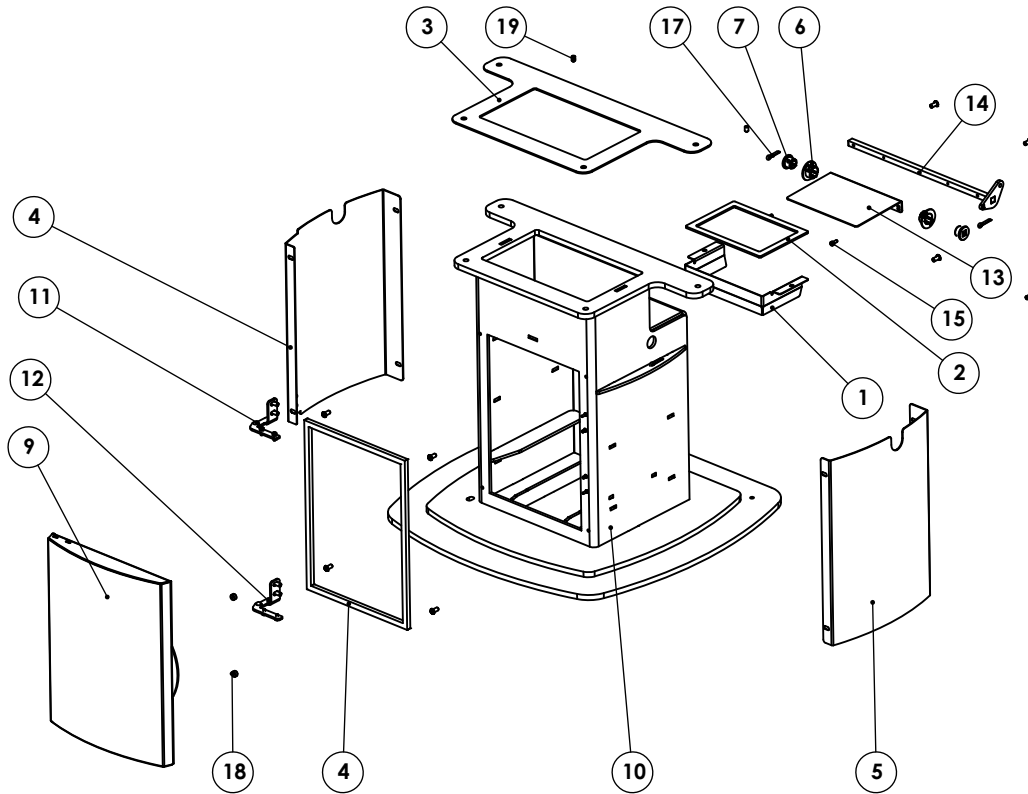


ItemNo	Partno	Description	Qty.
1	010/ES08/12	Ash flap link	1
2#	008/ES15/01	Slide handle	1
3	008/ES15/08	PTFE slider	1
4	008/ES15/09	Spacer	2
5	008/ES15/10	Washer	2
6	004/ES15/17	Slide assy	1
7	Bolt M8	M8 x 25	2
8	Washer	15x8.5	2
9	Washer	14x6	2
10	Clevis M8	Clevis pin 8.0mm Dia x 60	1
11	Clevis M6	Clevis 6 dia x 16	1
12	Cotter Pin M1.6 x 25	Splitpin	2
13	Lee Spring	Spring LEM 095D 12S	2
14	M6 Remform x 12mm	Plastite fixing	2

Please specify colour when ordering.

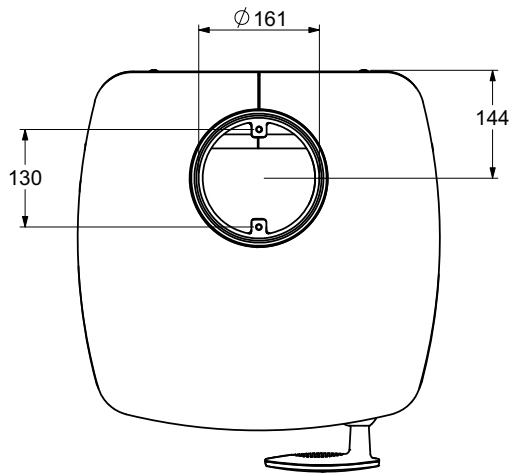
To obtain spare parts please contact your local stockist giving Model, Part No. and Description. In case of difficulty contact the manufacturer at the address shown.

This drawing is for identification purposes only.



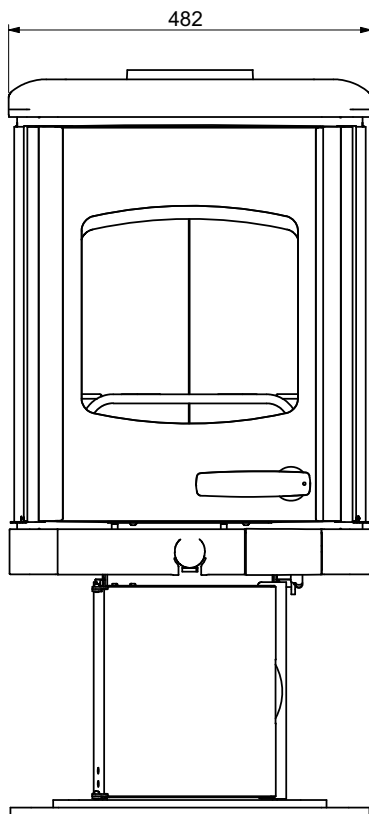
ItemNo	Partno	Description	QTY.
1	004/ES06/12	Ash guide	1
2	008/ES06/16	Gasket Ash flap	1
3	008/ES06/17	Gasket Column	1
4	004/ES06/19	LH Column side	1
5	004/ES06/20	RH Column side	1
6	008/ES06/21	Bearing Ash flap	2
7	008/ES06/22	Flap pivot	2
8	008/ES06/23	Seal Ash Door	1
9	004/ES06/24	Door assy	1
10	010/ES06/25	Column assy	1
11	010/ES06/26	Hinge upper	1
12	010/ES06/27	Hinge Lower	1
13	004/ES08/08	Ash flap	1
14	010/ES08/11	Flap pivot arm assy	1
15	SCS M4 x 10	M4 socket cap screw	3
16	M5x10	M5 x 10 Pan hd	8
17	Splitpin 3.7dia	Splitpin 3.7mm dia	2
18	Magnet 10x5	Magnet	2
19	008/FB026	Grubscrew M8 x 10	2

TOR PICO DIMENSIONS

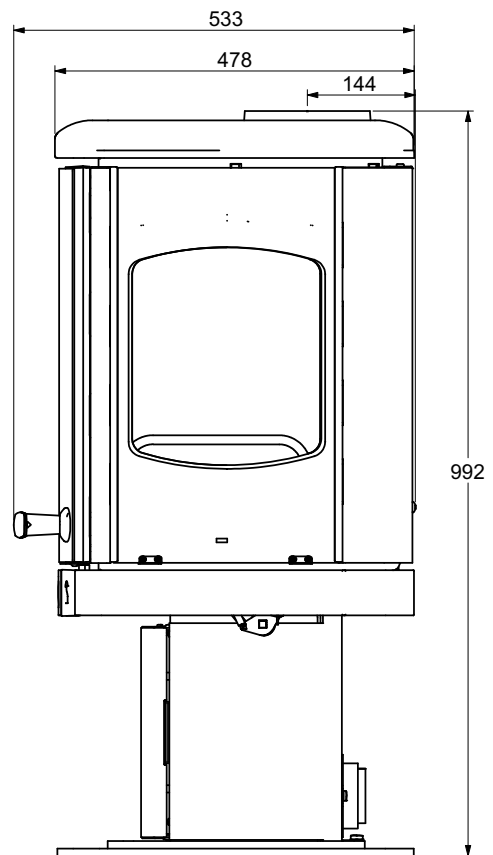


PLAN VIEW

Flue Outlet to suit 150mm (6") Fluepipe



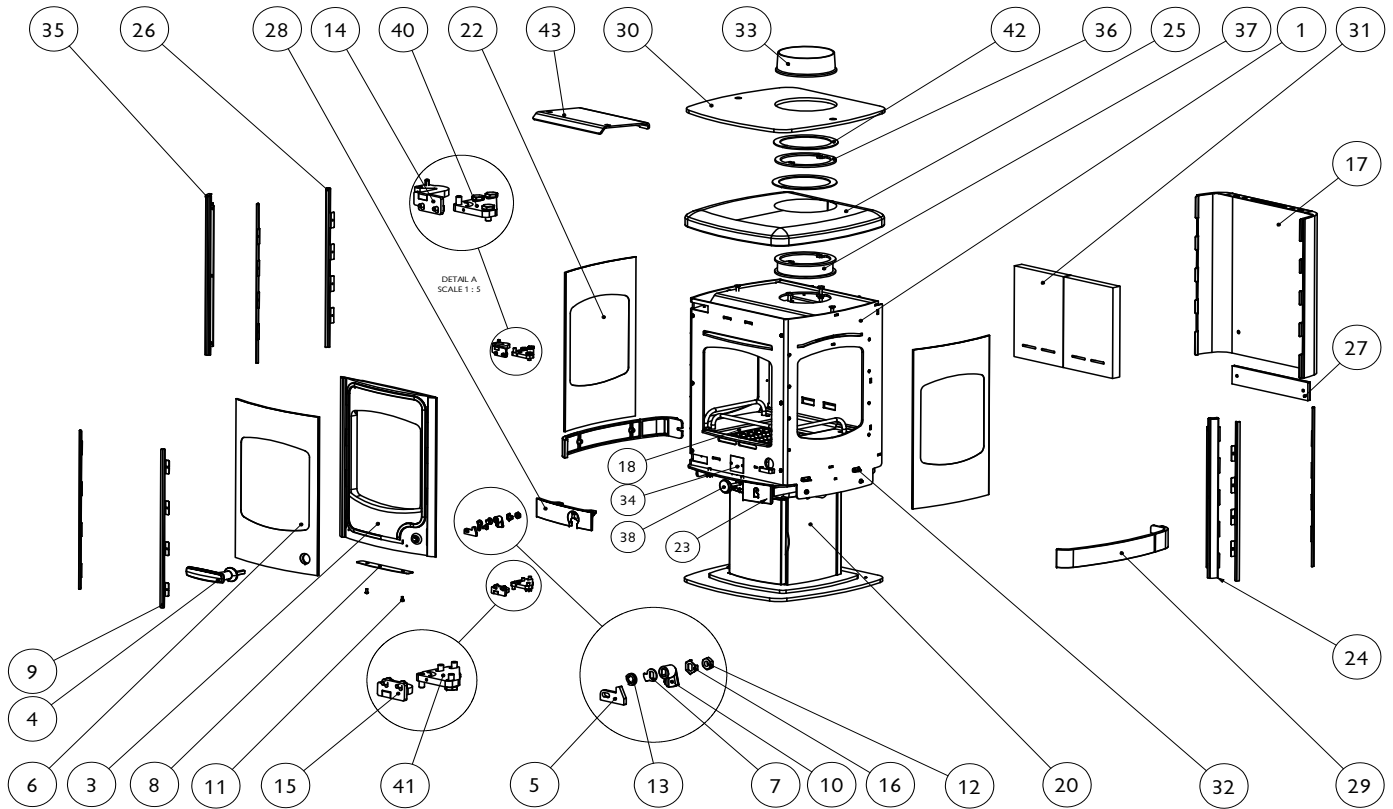
FRONT VIEW



SIDE VIEW

TOR PICO PARTS LIST

Issue A



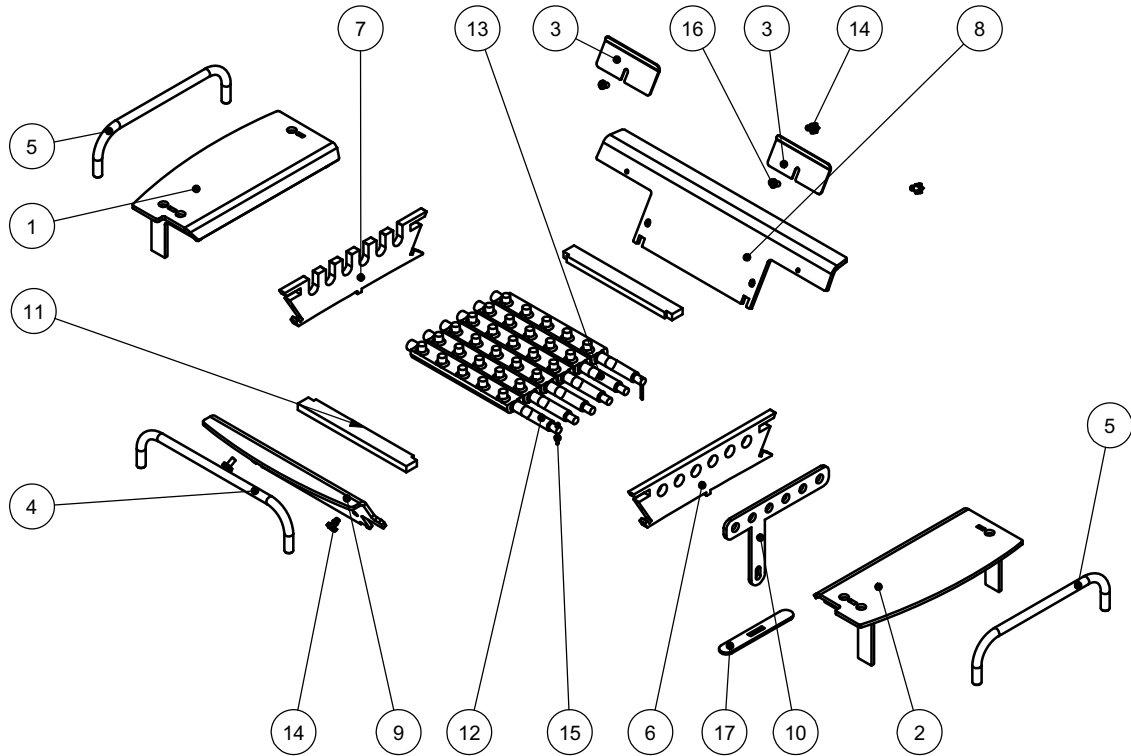
Item.	Part No.	Description	QTY.	Item.	Part No.	Description	QTY.
1	001/KS010	KS Firebox	1	25	008/KS009	Soapstone Top Plate	1
2	002/KS001/##/A	Door Assy	1	26	004/KS030	Glazing Bar	4
3	002/KS001	Door Casting	1	27	010/KS075	Rear Skirt	1
4	008/KS011/A	Handle Assembly	1	28	002/KS120	Front Collar	1
5	008/KS014	Handle Locking Stop	1	29	002/KS121	Side Skirt	2
6	006/KS018	Glass Frt Panel	1	30	010/KS127	Top Plate	1
7	004/KS063	Handle Stop	1	31	011/KS131	Firebrick	2
8	004/KS064	Glass Support	1	32	004/ES04/04	Glass Side Bracket	4
9	004/KS066	Front Glass Retainer	2	33	002/CH12B	Cast Flue Collar	1
10	002/AY14	Door Catch	1	34	012/KS015	Serial No plate	1
11	M5x12	Default	2	35	004/KS008	LH Upright Trim	1
12	Metric Nuts	M12 Half Nut	1	36	010/KS094/01	Flue Ring	1
13	Thakaray Washer	12.5mm	1	37	010/KS094	KS Adaptor Assy	1
14	010/KS003	Hinge Assembly Top	1	38	See Air Control Assy	4 way airbox	1
15	010/KS005	Hinge Assembly Lower	1	39	Brass Washer	1/4 Heavy	1
16	004/ST008	Tabbed Locking Washer	1	40	010/KS002	Hinge Plate Assy Top	1
17	004/KS006	Rear Cover Assy	1	41	010/KS004	Hinge Plate Assy Lower	1
18	See Grate Assy	Grate Assembly	1	42	008/KS134	Sealing gasket (Flue)	2
19	004/KS128	Brick Retainer	2	43	010/KS031	Throat Plate	1
20	See Column Assy	Base Assy	1				
22	006/KS019	Glass (side panel)	2				
23	See Ridler Arm Assy	RiddlerArm	1				
24	004/KS007	RH Upright trim	1				

* These items are not shown on the drawing.
Please specify colour when ordering.

To obtain spare parts please contact your local stockist giving Model, Part No. and Description. In case of difficulty contact the manufacturer at the address shown.
This drawing is for identification purposes only.

TOR PICO PARTS LIST GRATE ASSEMBLY

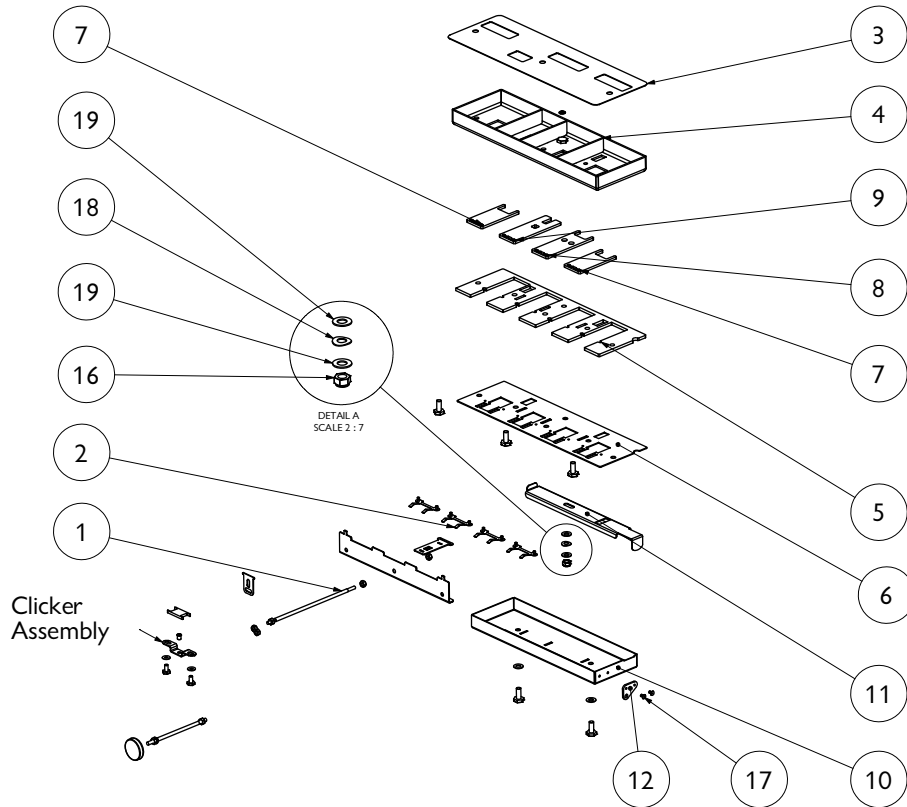
Issue A



Item	Part No.	Description	Qty.
1	010/KS058	LH Sideplate	1
2	010/KS059	RH Sideplate	1
3	004/KS128	Brick retainer	2
4	010/KS123	Front Fence	1
5	010/KS119	Side Fence	2
6	010/KS122	Grate Support	1
7	010/KS117	Grate Support Plate	1
8	010/KS056	Rear Grate Plate	1
9	010/KS057	Front Grate Plate	1
10	010/KS055	Link Plate	1
11	010/KS062	Grate Front & Rear Bar	2
12	002/CG21	CG20 Grate Bar with hole	2
13	002/CG20	Grate Bar	4
14	Bolt M6 x 14	M6 x 14 Hex Hd Bolt	4
15	Cotterpin	Splitpin \varnothing 3mm x 25	2
16	Screw M6 x 10	M6 x 10 Pan Hd Screw	2
17	010/KS032	Link Plate Cover	1

TOR PICO PARTS LIST AIR CONTROL

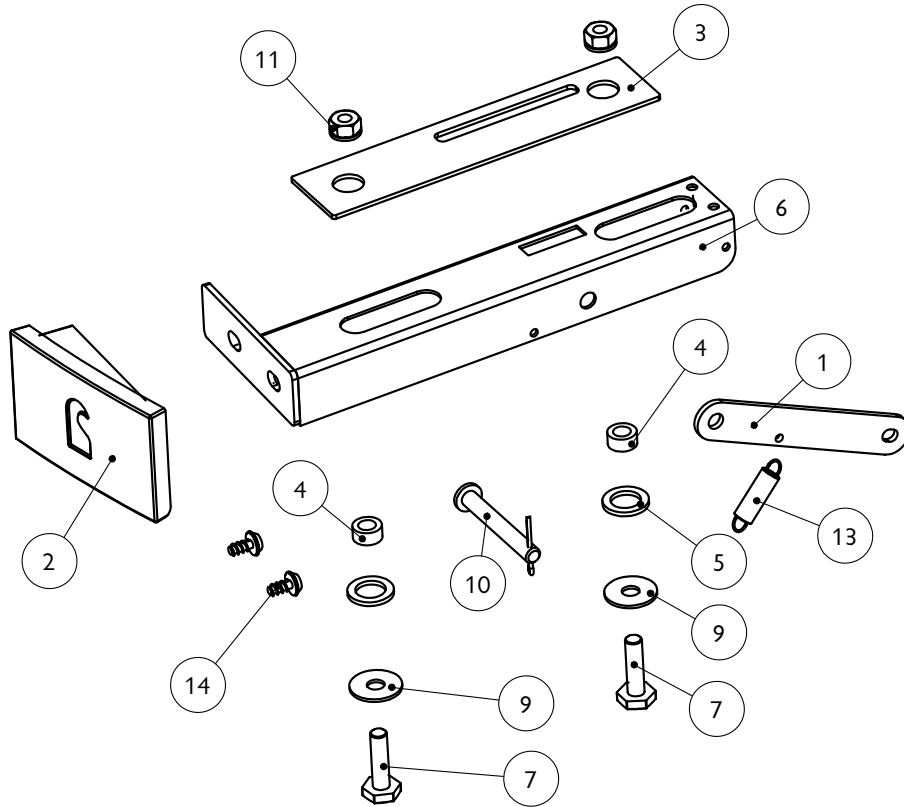
Issue A



Item No	Partno	Description	QTY.
1	004/KS041/0	Airslide control assembly	1
2	004/KS048	Slide Retaining spring	4
3	008/KS012	Gasket Airbox	1
4	010/KS101	Airbox assy	1
5	010/KS102	Slide spacer	1
6	004/KS103	Slide cover plate	1
7	008/KS104	Slide (airwash)	2
8	008/KS105	Front air slider	1
9	008/KS106	Firebrick air slider	1
10	004/KS107	Airbox outer cover	1
11	004/KS108	Bypass slide	1
12	010/KS110	Spring Retainer	1
13	M8 Nyloc Nut	M8 Nyloc nut	1
14	Grip Washer	Gripper Washer	1
15	M8 Wavy washer	M8 Wavy washer	1
16	Bolt M8	M8 x 20	5
17	Rivet 3.2 x 10	M3 x 10 Rivet	2
18	Washer M8 x 21	M5 Washer	4
19	Rivet3.2x6.0mm	Rivet 3.2 x 6 Long	8

TOR PICO PARTS LIST RIDDLER ARM

Issue A



Item No	Partno	Description	QTY.
1	010/KS033	Ash Flap link	1
2	008/ES15/01	Slide Handle	1
3	008/KS130	PTFE handle slider	1
4	008/ES15/09	Spacer	2
5	008/ES15/10	Slide/Spacer	2
6	010/KS133	Slider Sub-Assy	1
7	Bolt M8	M8 x 30	2
8	Washer	15x8.5	2
9	Washer	25x8	2
10	Clevis M8	Clevis pin 8.0mm Dia x 60	1
11	Metric Nuts	M8 Nut	2
12	Cotter Pin M1.6x25	Cotter pin 1.6 Dia x 25	1
13	LE026D04	Spring LEO26D04	1
14	M6 x 12 Pan	M6 x 12 pan flange TX screw	2

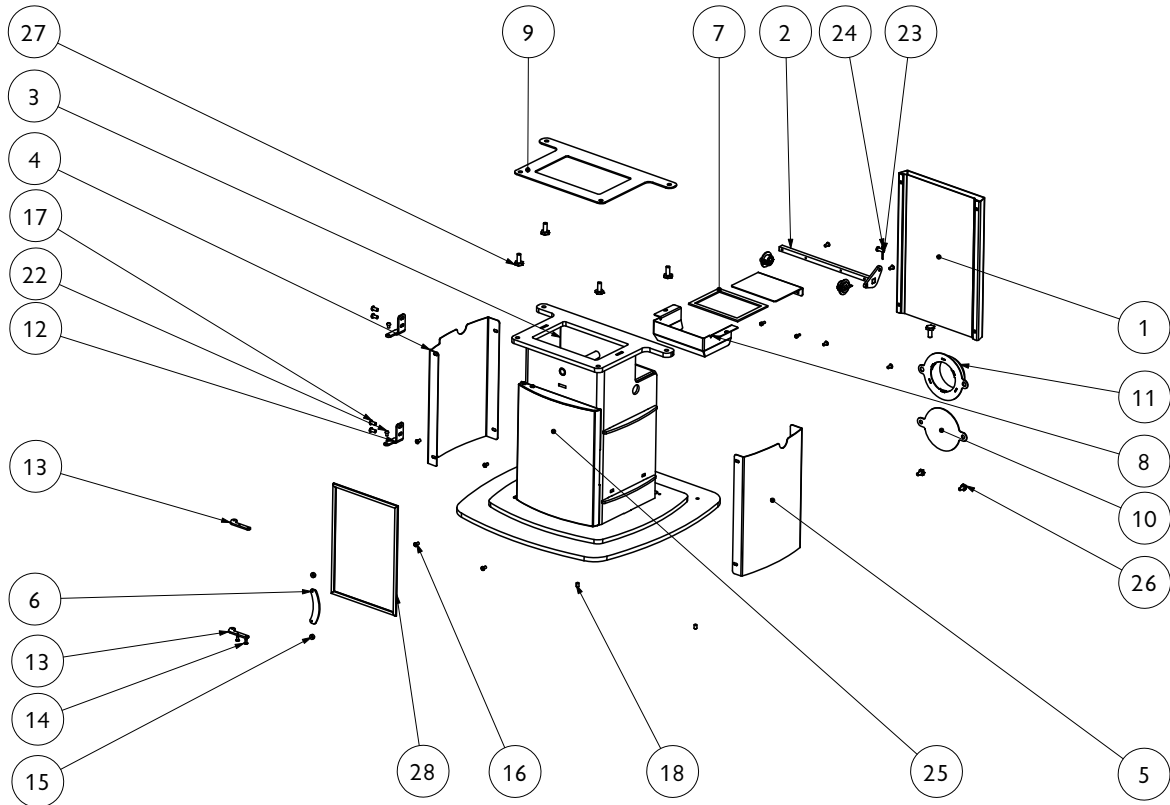
Please specify colour when ordering.

To obtain spare parts please contact your local stockist giving Model, Part No. and Description. In case of difficulty contact the manufacturer at the address shown.

This drawing is for identification purposes only.

TOR PICO PARTS LIST COLUMN

Issue A



ItemNo	Partno	Description	QTY.
1	004/KS037	Rear Air duct	1
2	004/KS038	Ash flap assy	1
3	010/KS042	Base Assembly	1
4	004/KS072	LH Column side	1
5	004/KS073	RH Column Side	1
6	010/KS079	Door Finger Plate	1
7	008/KS081	Gasket Ash Flap	1
8	004/KS082	Ash Guide	1
9	008/KS083	Gasket Column	1
10	004/KS091	Blanking plate	1
11	004/KS092	Air Duct Coupling	1
12	010/ES06/07	Hinge Lower	2
13	010/KS111	Ash Door Hinge	2
14	M4 Csk Phillips Hd	M4 CSK Phillips Hd	2
15	Magnet 10x5	Magnet 10 x 5	2
16	M5x10	M5 x 10	8
17	M6 Button Hd	Allen Hd	4
18	DIN 914 - M8x10	Grubscrew M8 x 10	2
19	Metric Nuts	M6 Nut	2
20	Washer	14x6	5
21	M6 Washer	6.0mm	4
22	Hinge pin Mk2	Rivet 4.7dia Rd Hd	2
23	Clevis M6		1
24	Cotter Pin M1.6x25	Cotter pin 1.6 Dia x 25	1
25	004/KS112	Ash Door Assy.	1
26	Bolt M6		4
27	Bolt M8	M8 x 20	5
28	008/KS035	Seal (Ash Door)	2



charnwood



A.J WELLS & SONS LTD

10

Bishops Way, Newport, Isle of Wight PO30 5WS, United Kingdom

A Division of A.J.Wells & Sons Limited Registered in England No. 03809371

EN13240:2001

TOR & TOR PICO

ROOMHEATERS FIRED BY SOLID FUEL

	TOR	TOR PICO
EC CERTIFICATE OF CONFORMITY NO:	ES44-CPD-2010	KS44-CPD-2010
MINIMUM DISTANCE TO COMBUSTIBLE MATERIALS		
SIDE:	800	800
REAR:	500	400
EMISSION OF CO IN COMBUSTION PRODUCTS:	0.29%	0.29%
FLUE GAS TEMPERATURE:	303°C	231°C
SPACE HEATING THERMAL OUTPUT:	8.0kW	5.0kW
ENERGY EFFICIENCY:	73.1%	79.2%
FUEL TYPES:	Wood Logs	Wood Logs

your premier dealer

REV TOR & TOR PICCOLO ISSUE

charnwood BISHOPS WAY, NEWPORT, ISLE OF WIGHT PO30 5WS, UNITED KINGDOM
T:+44 (0)1983 537777 • F:+44 (0)1983 537788 • CHARNWOOD@AJWELLS.CO.UK • WWW.CHARNWOOD.COM



A Division of A.J.Wells & Sons Limited Registered in England No. 03809371

